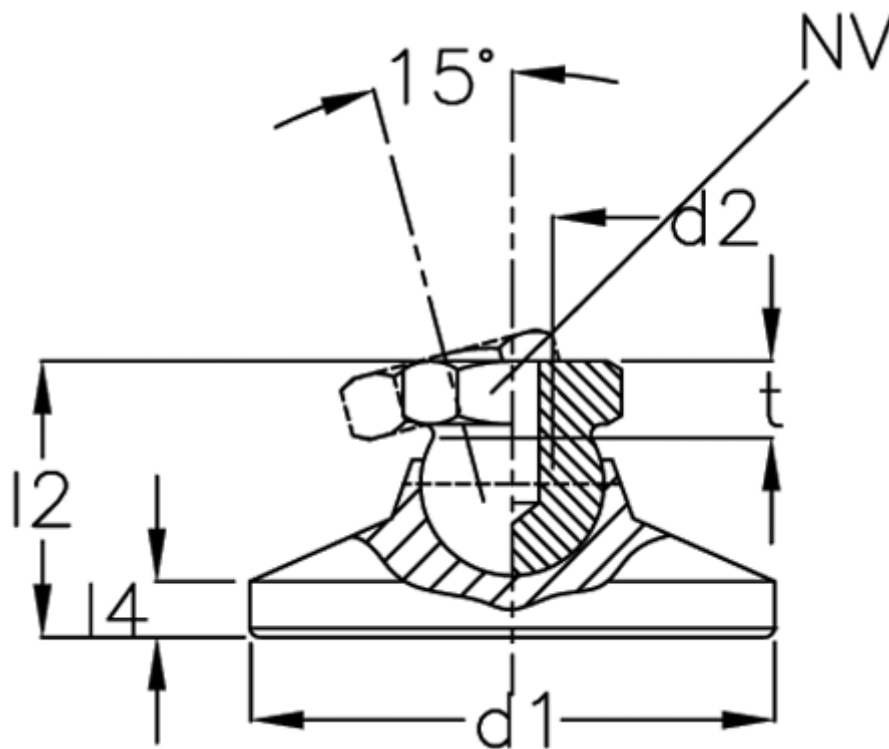


Data Sheet



Article number: 20343160M16KR
Description: E+G levelling foot
GN 343.1-60-M16-KR

Measures



$d1$	= 60
$d2$	= 16
$l2$	= -
$l4$	= -
NV	= 24
Static load (kN)	= 30
t min	= 16